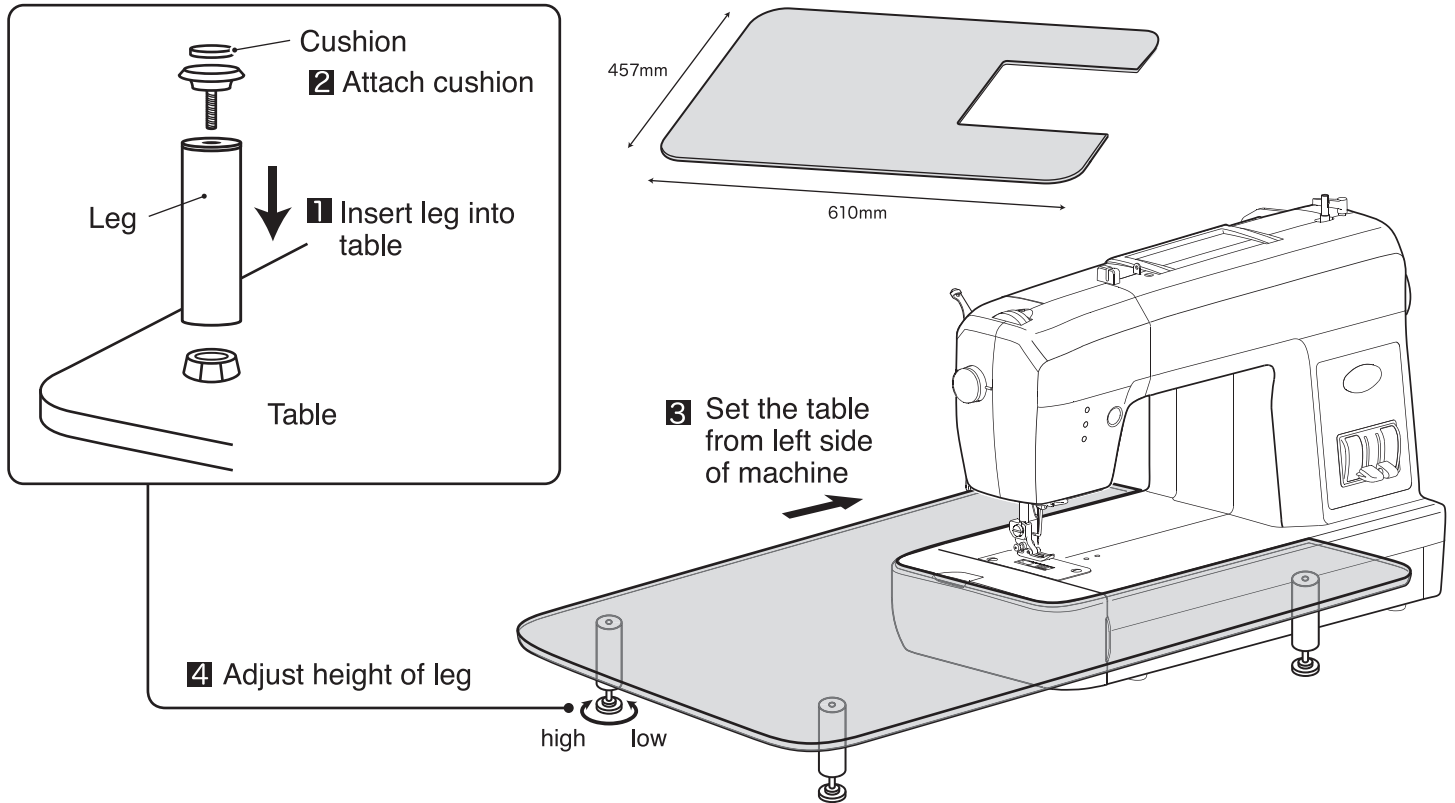


## How to Set up Clear Table (CT-3) (exclusive for baby lock Sashiko machine)



## IMPORTANT SAFETY INSTRUCTION

**WARNING - to reduce the risk of injury to persons or breakage of table.**

- ※Use this table only for its intended use as described in the above.  
Use only attachments included with the package of clear table.
- ※Always unplug the sewing machine from the electrical outlet when setting up table to the machine, or when removing table from the machine.
- ※Do not place anything on the table.
- ※Do not place your elbows or hands at the fore side of table otherwise both table and machine may overturn.
- ※Do not allow to be used as a toy. Close attention is necessary when the machine with clear table is used by or near children.
- ※Never use or store the table or machine with table where aerosol (spray) products are being used, where children can reach their hands, or where direct rays of the sun are exposed.
- ※Stop using the table in case it is broken or depleted.
- ※Keep table free from water or chemicals.
- ※Do not wipe the surface of table with detergent or solvent. Always wipe with dry cloth.