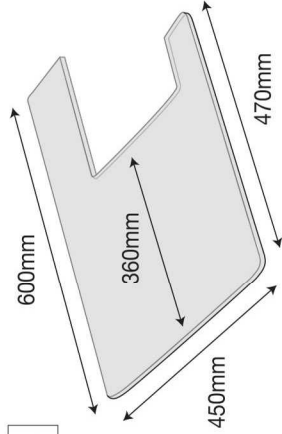


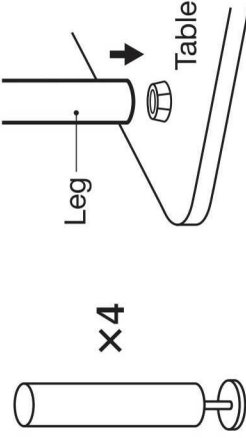
How to Set up Clear Table (CT-5) (exclusive for baby lock overlock machine)



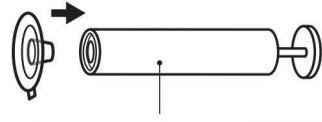
Size



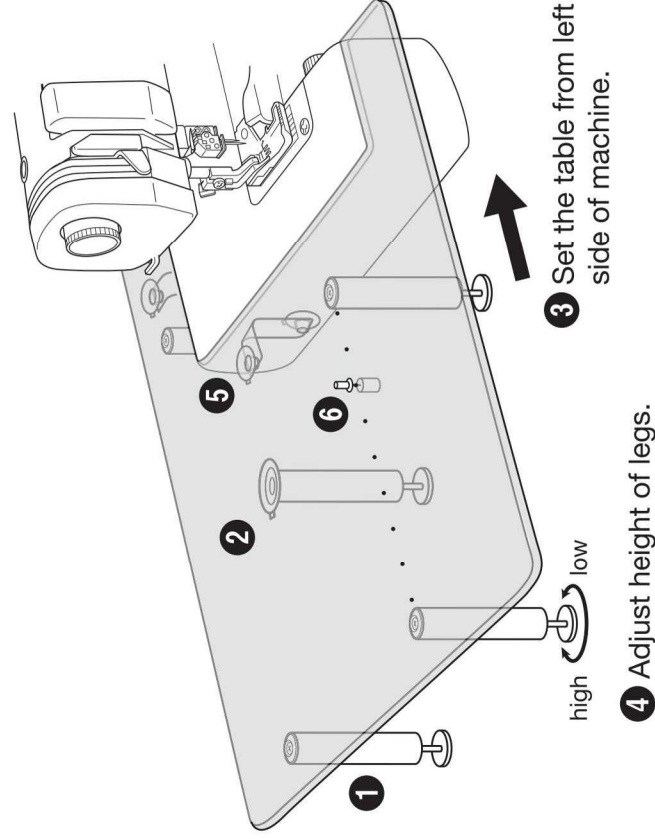
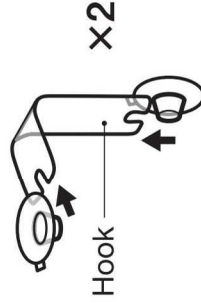
1 Insert leg into table.



2 Insert sucker into supporting leg, and fix the leg to the table where it becomes stable.

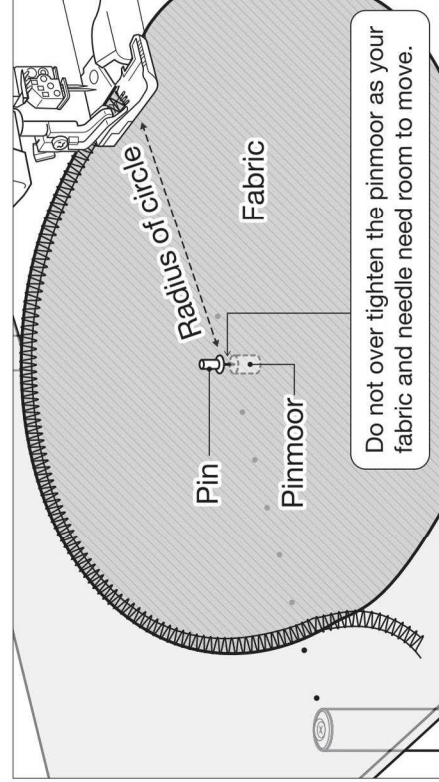


5 Attach sucker at each edge of hook, and fix each sucker firmly to the machine body and to the table.



4 Adjust height of legs.

6 How to use the Circles Sewing kit.



Multiple holes are provided on the table to allow a range of circle sizes for various projects. Remove the pinmoor from the pin. Install the pin into your desired hole. Use the pinmoor to secure the pin below the table.

IMPORTANT SAFETY INSTRUCTION

WARNING - to reduce the risk of injury to persons or breakage of table.

- ※Use this table only for its intended use as described in the above. Use only attachments included with the package of clear table.
- ※Always unplug the overlock machine from the electrical outlet when setting up table to the machine, or when removing table from the machine.
- ※Do not place anything on the table.
- ※Do not place your elbows or hands at the fore side of table otherwise both table and machine may overturn.
- ※Do not allow to be used as a toy. Close attention is necessary when the machine with clear table is used by or near children.

- ※Never use or store the table or machine with table where aerosol (spray) products are being used, where children can reach their hands, or where direct rays of the sun are exposed.
- ※Stop using the table in case it is broken or depleted.
- ※Keep table free from water or chemicals.
- ※Do not wipe the surface of table with detergent or solvent. Always wipe with dry cloth.